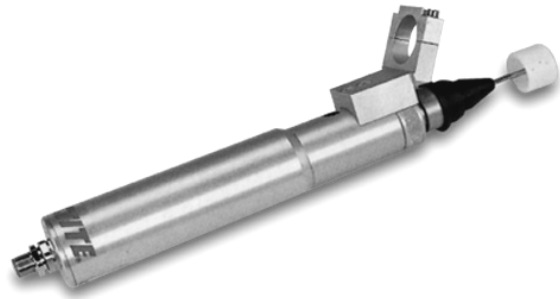


LOCTITE®

Rotorspray
Rotoreinheit
97115



Henkel Excellence is our Passion

Operating Manual
Bedienungsanleitung

Contents

English.....3-26

Deutsch27-51

Contents

| | | |
|----------|--|-----------|
| 1 | Please observe the following | 4 |
| 1.1 | Emphasized Sections | 4 |
| 1.2 | Items Supplied | 5 |
| 1.3 | Field of Application (Intended Use)..... | 5 |
| 1.4 | For Your Safety..... | 5 |
| 2 | Description | 7 |
| 2.1 | Theory of Operation | 7 |
| 2.2 | Operating Elements and Connections | 10 |
| 3 | Technical Data | 11 |
| 4 | Installation | 12 |
| 4.1 | Environmental Conditions..... | 12 |
| 4.2 | Mounting the Rotor Disk | 12 |
| 4.3 | Mounting the Dispensing Valve | 12 |
| 4.3.1 | Diaphragm Valve 97135 | 12 |
| 4.3.2 | Dispensing Valve 98009 | 14 |
| 4.3.1 | Dispensing Valve 97113/97114 | 15 |
| 4.4 | Mounting the Unit..... | 17 |
| 4.5 | Connecting the Unit | 18 |
| 5 | Dispensing | 19 |
| 5.1 | First Operation | 19 |
| 5.1.1 | Priming the Feedline..... | 19 |
| 5.1.2 | Controlling the Dispensing Sequence..... | 19 |
| 5.2 | Adjusting the Rotorspray Parameters (Factory Settings) | 20 |
| 5.3 | Shutdown..... | 21 |
| 5.4 | Returning to Operation | 21 |
| 6 | Care, Cleaning and Maintenance | 21 |
| 7 | Troubleshooting | 22 |
| 7.1 | Troubleshooting | 22 |
| 7.2 | Replacement of Motor Assembly or Bearing Assembly..... | 23 |
| 8 | Annex | 25 |
| 8.1 | Accessories and Spare Parts | 25 |
| 8.2 | Pin Connection | 25 |
| 8.3 | Declaration of Conformity | 26 |

1 Please observe the following



For safe and successful operation of the unit, read these instructions completely. If the instructions are not observed, the manufacturer can assume no responsibility. Be sure to retain this manual for future reference.

Refer to the technical data sheet for the LOCTITE®-product used at www.loctite.com or contact your local technical department.

1.1 Emphasized Sections



Warning!

Danger is the signal word used to indicate an imminently hazardous situation that, if not avoided, will result in death or severe injury.



Caution!

Caution is the signal word used to indicate a potentially hazardous situation which, if not avoided, could result in moderate or minor injury.



Notice!

Gives recommendations for better handling of the unit during operation or adjustment as well as for service activities

The numbers printed in bold in the text refer to the corresponding position numbers in the illustration on page **10**.

- The point emphasizes an instruction step.

Instruction steps in the illustrations are indicated with arrows.

When several instruction steps are indicated in an illustration, the shading of the arrow has the following meaning:

Black arrow = 1st step

Grey arrow = 2nd step

White arrow = 3rd step



1 Please observe the following

1.2 Items Supplied

| | |
|--|--------------------|
| 1 Rotorspray 97115 Order Code No. 135557 | |
| 1 Rotor Disk Dia. 10 mm with shaft Dia. 3 mm | 1 Operating Manual |
| 1 Rotor Disk Dia. 25 mm with shaft Dia. 5 mm | 1 Rotor Cord |



Notice!

As a result of technical development, the illustrations and descriptions in this operating manual can deviate from the actual unit delivered.

1.3 Field of Application (Intended Use)

With the Rotorspray 97115 LOCTITE® Products can be applied to the interior cylindrical surfaces of workpieces.

The Rotorspray operates in combination with dispensing valves 97134 or 97135/97136. The Positive Displacement Pump 983330 can be used with the Rotorspray, too. It is possible to use also LOCTITE® Controller 97152 with integrated Valve Module, Controller 97153 with an external Solenoid Valve Module 97204 or a corresponding controller for the Positive Displacement Pump.

Only low viscosity anaerobic adhesives can be applied with the Rotorspray 97115 and no Cyanoacrylate.

1.4 For Your Safety

Please refer to the relevant Technical Data Sheet for the Loctite® adhesive to be processed. Download from www.loctite-equipment.com or request the Technical Data Sheet and the Safety Data Sheet (acc. to EU Directive 91/155/EU). Contact:

Henkel AG & Co. KGaA

+49 89 92 68 11 67

089-92 68 11 22

for the English language version of data sheets;

for the German language version of data sheets.

INSTRUCTIONS given in these data sheets must be followed scrupulously at all times!

1 Please observe the following



Warning!

To reduce the risk of injury, user must read and understand the instruction manual!

Do not operate power tools in explosive atmospheres, such as in the presence of flammable liquids, gases, or dust.

Do not abuse the cord. Never use the cord to carry the tools or pull the plug from an outlet. Keep cord away from heat, oil, sharp edges or moving part.

Dress properly. Do not wear loose clothing or jewelry. Contain long hair. Keep your hair, clothing, and gloves away from moving parts.

Avoid accidental starting. Be sure switch is off before plugging in.

Remove adjusting keys or switches before turning the tool on.

Use safety equipment. Always wear eye protection.

Disconnect the plug from the power source before making any adjustments, changing accessories, or storing the tool.

Check for misalignment or binding of moving parts, breakage of parts, and any other condition that may affect the tools operation. If damaged, have the tool serviced before using.

Use only accessories that are recommended by the manufacturer for your model.

Only qualified repair personnel must perform tool service.

When servicing a tool, use only identical replacement parts. Follow instructions in the Maintenance section of this manual.

Observe general safety regulations and manufacturer's instructions for the handling of chemicals!

If chemical products are not properly handled, damage to health can result!

Request a safety data sheet for the LOCTITE®-product used!

The rotorspray is not suitable for humidity curing cyanoacrylate adhesives. These clog the wetting holes of the rotor disk!

The rotor disk must be able to reach the required wetting position exactly without getting contact with any obstacles!

2 Description

2.1 Theory of Operation

The Rotorspray 97115 is clamped in a fixture. The dispensing valve is clamped in the holder of the rotorspray so that the tip of the flexible dispensing needle is directed to the inside of the wetting holes on the rotor disk.

The LOCTITE® Controller 97153/97204 or the Controller 97152 must control:

- Switching on of the rotorspray.
- The preselected dispensing time after the rated rotor speed is reached.
- Switching off of the rotorspray.

As long as the dispensing valve is open, the product is dispensed through the wetting holes by centrifugal force and uniformly distributed onto the cylindrical inner surface of the part.

In conjunction with an advancing slide, reaching the end of the advancing movement triggers the dispensing.

The head of the rotorspray has a longitudinal play of 5 mm. Within this distance, unintentional contact with an obstacle can be compensated without the rotor disk or the drive assembly and its shaft being damaged. Furthermore the drive assembly is designed that in case the product flows back, the drive assembly and the rotor housing do not bond together. With longitudinal play and the special design of the drive assembly a perfect function is guaranteed.

When a disturbance occurs in a dispensing sequence:

- The dispensing sequence is interrupted.
- The rotorspray is switched off, possibly the advancing slide is switched to moving backwards.
- The Loctite Controller signals an error message with a beeping tone (see Section 7).

2 Description

The integrated electronic control can be adjusted according to the necessities of the application.

The factory settings are:

- The rotor speed is set to 8,000 rpm (Switch position 9).
- The starting-up current is limited to 0.8 A (Dip switch 1 OFF).
- The monitoring time to reach the rated speed is set to switch position ON, that is 0.5 sec (Dip switch 2 OFF).

The monitoring time of 0.5 sec is an additional collision protection for small rotor disks.

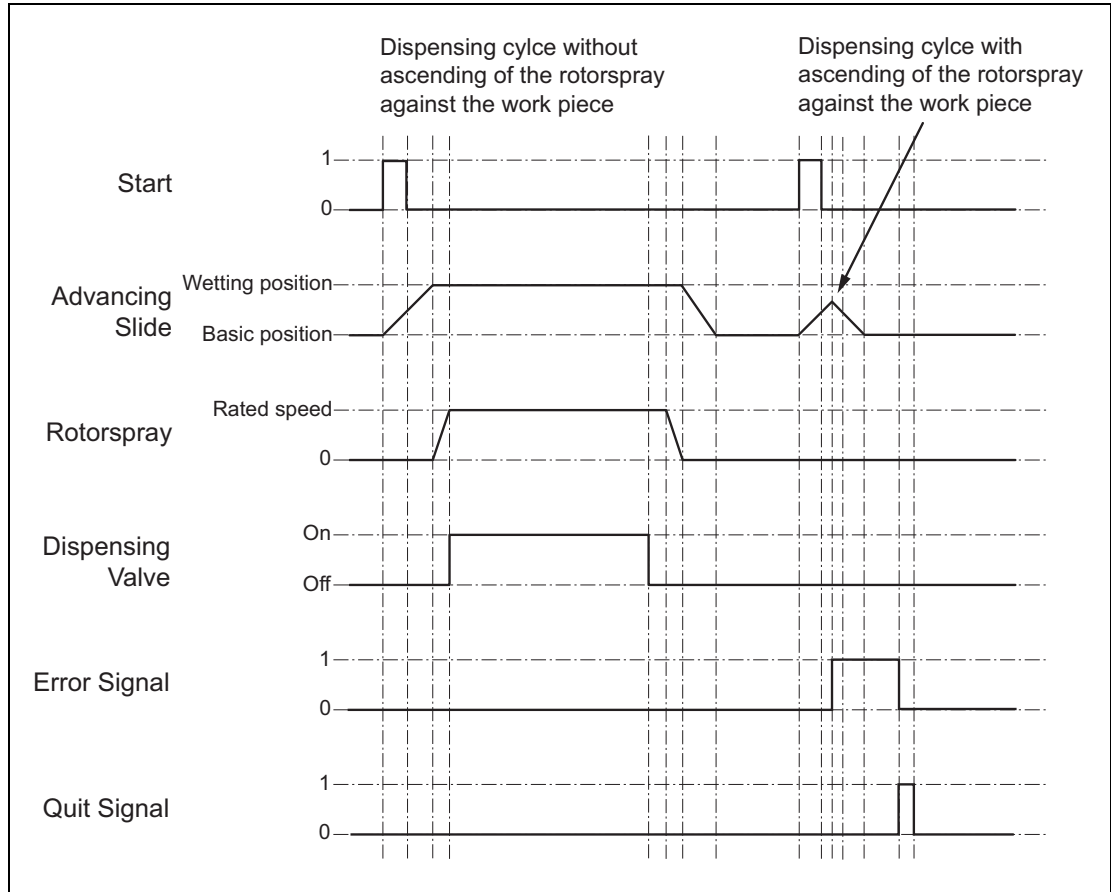
When using bigger disks (> Dia. 40 mm) no monitoring time limit should be set.

If no monitoring time is set, then no error message will be generated, in case the speed is not reached.

Changing of the factory settings, see Section 5.2.

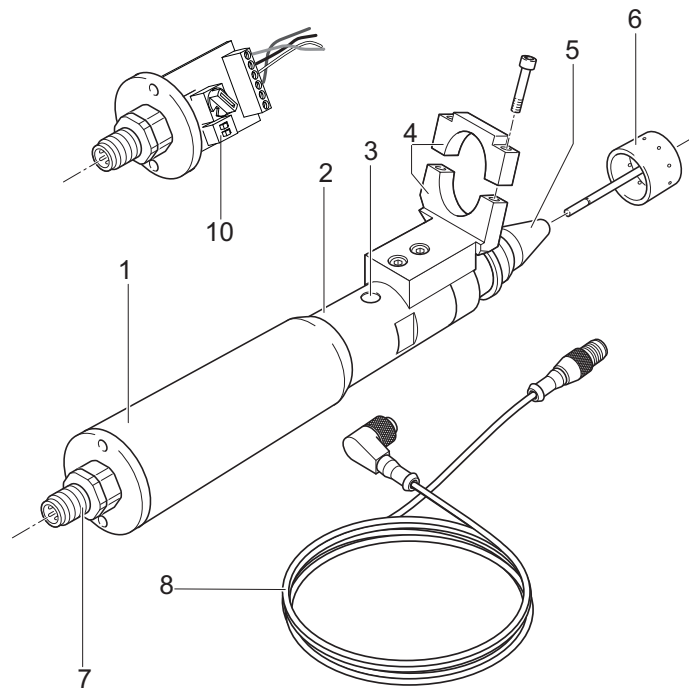
2 Description

Flow Chart



2 Description

2.2 Operating Elements and Connections

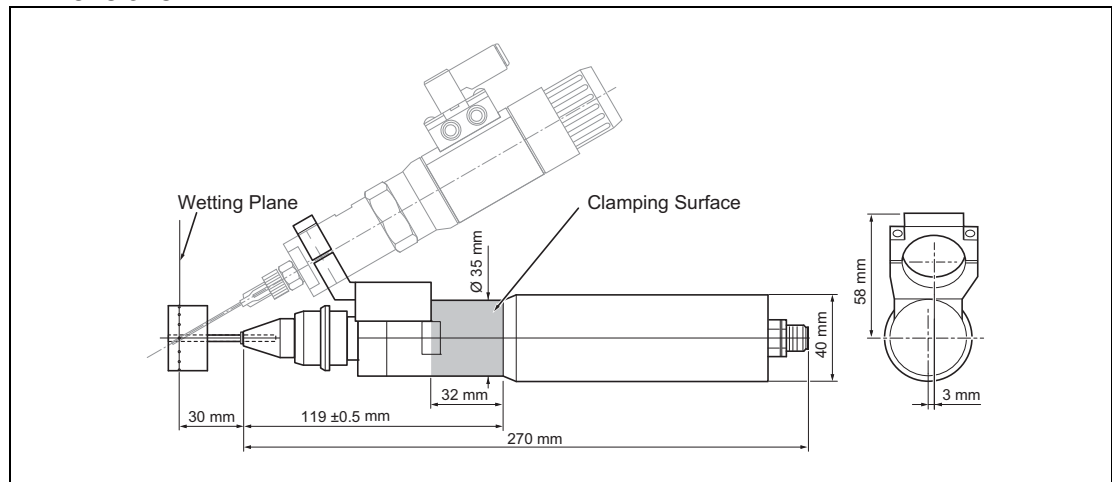


- 1 Rotorspray Motor Assembly**
- 2 Rotorspray Frontend Assembly**
- 3 Access hole**
Makes possible access to the attachment screw of the shaft coupling
- 4 Holder for dispensing valve**
- 5 Drive Assembly with shaft** and a longitudinal play of 5 mm
- 6 Rotor Disk with shaft**
 - Rotor disk smaller than Ø 15 mm supplied with shaft Ø 3 mm
 - Rotor disk alike or larger than Ø 15 mm supplied with shaft Ø 5 mm
- 7 4-pin Plug** for the connection to the PLC or the Loctite® Controller
- 8 Rotor Cord** with status LED's
- 9 Adapter Ring** for fixing a diaphragm valve (not shown)
- 10 PCB** with dip switches and rotor speed pre selector

3 Technical Data

| | |
|--|--|
| Rated Revolution | 8,000 rpm (Switch position 9) |
| Adjustable speed range | 3,500 – 8,000 rpm in steps of 500 rpm |
| Rated starting-up current | 0.8 A (Dip switch 1 OFF) |
| Adjustable starting-up current | 2 A (Dip switch 1 ON) |
| Rated monitored time to reach speed | 0.5 sec (Dip switch 2 OFF) |
| Adjustable monitored time to reach speed | No limit (Dip switch 2 ON) |
| Rated voltage Safety extra low | 24 V DC |
| Power consumption | Constant current ~ 0.2 A, Starting-up current up to 2 A W |
| Operating temperature | +10°C bis +40°C (+50°F bis +104°F) |
| Storage temperature | -10°C to +60°C (+14°F to +140°F) |
| Weight | 0.530 kg |

Dimensions



4 Installation

4.1 Environmental Conditions

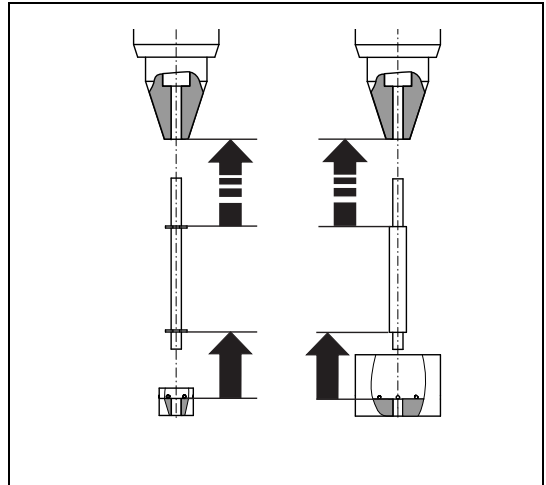
- The equipment should be installed in a dry, dust-free place.

4.2 Mounting the Rotor Disk

- Mount the rotor disk **6** as shown in the right graphic.



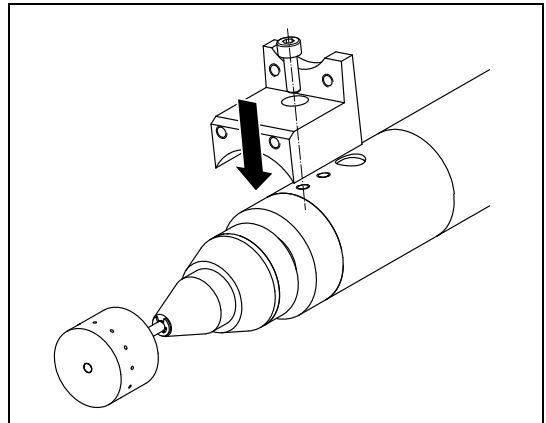
In order to keep any unbalance as small as possible, use facilities to make sure the shaft and the disk will be mounted exactly in the axis.



4.3 Mounting the Dispensing Valve

4.3.1 Diaphragm Valve 97135

- Mount the bracket to the rotorspray. Use the bore, which is located nearer to the rotor head.

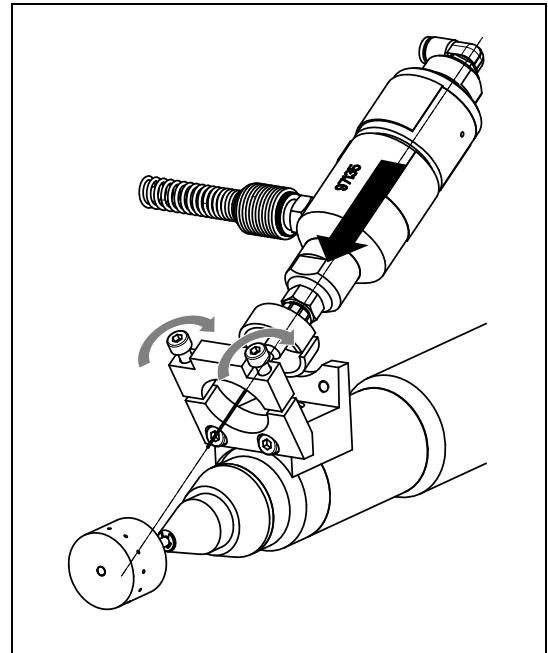


4 Installation

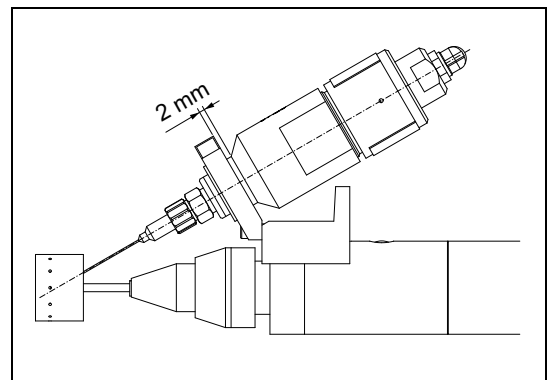
- Mount the clamp to the front face of the bracket.
- Open the clamp.
- Insert the dispensing valve with attached dispensing needle including the supplied adapter ring.



Pay attention to the needle. It must point into the rotor disk.



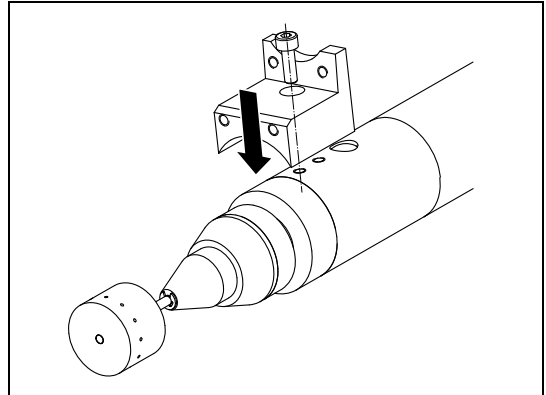
- Fix it with the clamp screws. The distance between the clamp and the border of the clamping area of the valve is approx. 2 mm. The tip of the needle must not touch the inner surface of the disk.



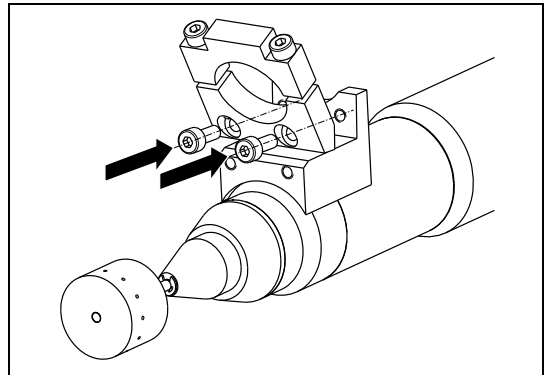
4 Installation

4.3.2 Dispensing Valve 98009

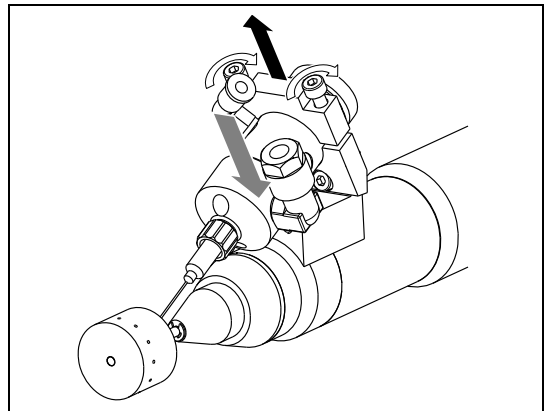
- Mount the bracket to the rotorspray. Use the bore, which is located nearer to the rotor head.



- Mount the clamp to the bracket.



- Unscrew the both screws of the clamp.
- Dismount the upper shell.
- Insert the dispensing valve without a dispensing needle.

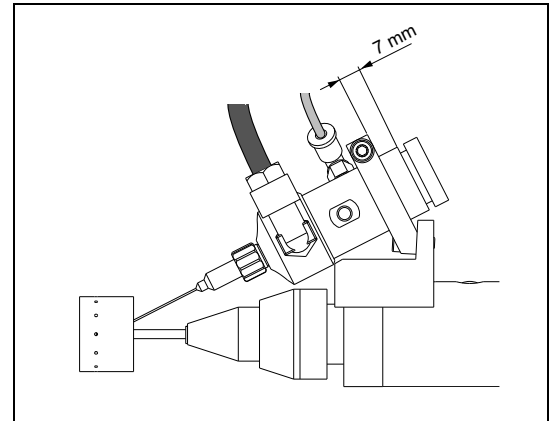


4 Installation

- Fix it with the clamp screw. The distance between the clamp and the border of the clamping area of the valve is approx. 7 mm.
- Mount the dispensing needle. The tip of the needle must not touch the inner surface of the disk.

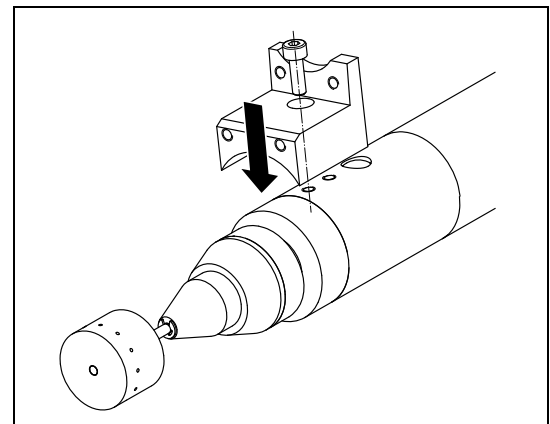


Pay attention to the needle. It must point into the rotor disk.



4.4.3 Dispensing Valve 97113/97114

- Mount the bracket to the rotorspray. Use the bore, which is located nearer to the rotor head.



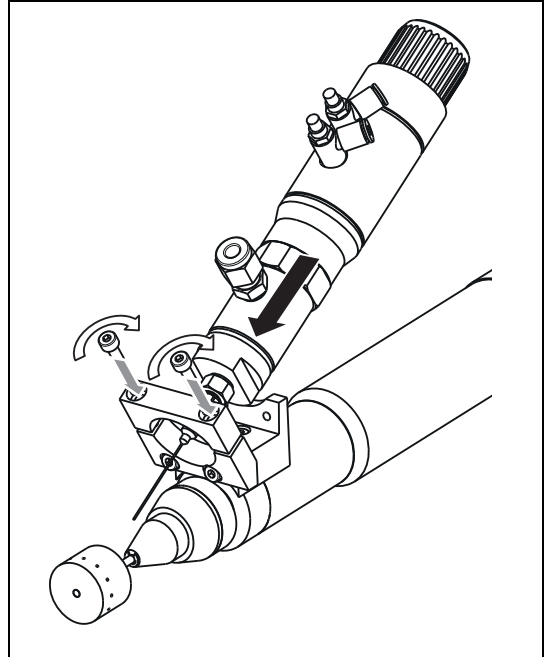
4 Installation

- Mount the clamp to the front face of the bracket.
- Open the clamp.
- Insert the dispensing valve with attached dispensing needle including the supplied adapter ring.

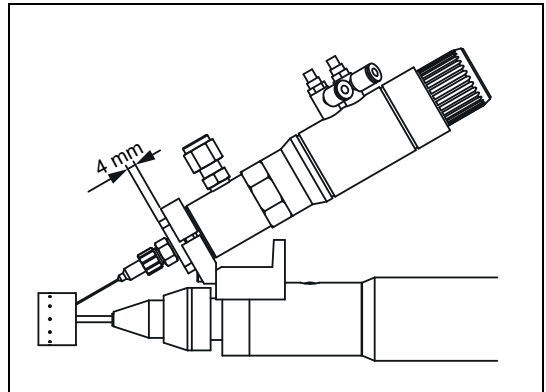


Note!

Pay attention to the needle. It must point into the rotor disk.



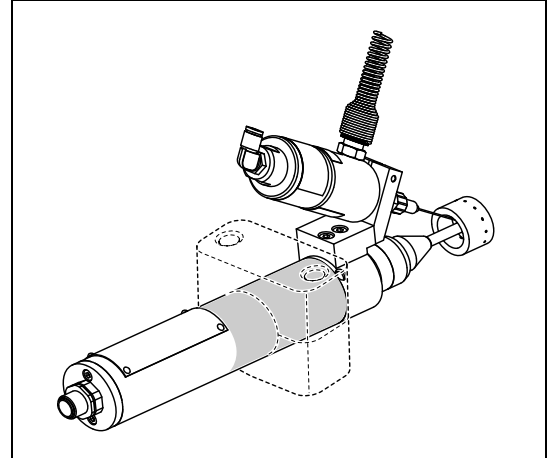
- Fix it with the clamp screws. The distance between the clamp and the border of the clamping area of the valve is approx. 4 mm. The tip of the needle must not touch the inner surface of the disk.



4 Installation

4.4 Mounting the Unit

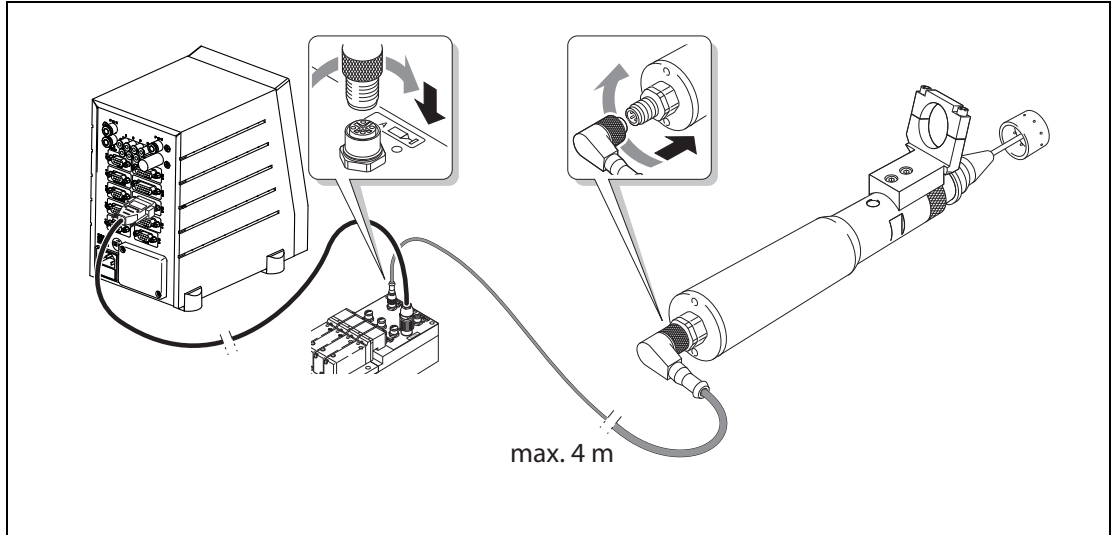
- Clamp the rotorspray into a fixture on the clamping surface, e. g the fixture on the advancing slide 97118/97119.



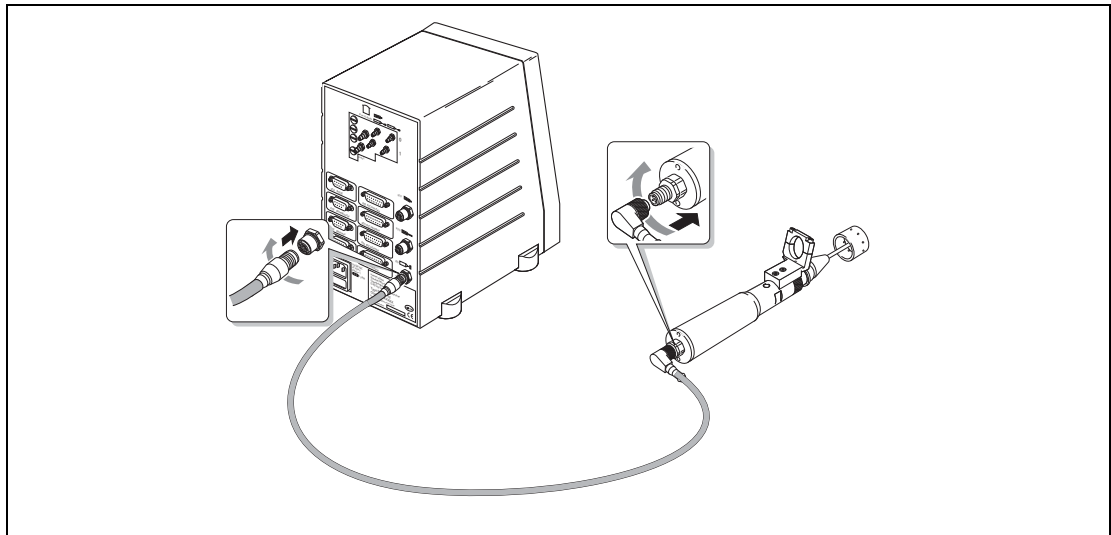
4 Installation

4.5 Connecting the Unit

Multi Channel Automatic Controller 97153 / 97204



Automatic Controller 97152



5 Dispensing

5.1 First Operation.

5.1.1 Priming the Feedline.



Notice!

To avoid air bubbles during dispensing, the product feedline and the dispensing valve must be filled.



Caution!

Place a container under the valve since product will flow out!

- Perform the filling of the product feedline according to the operating manual of the used valve before mounting to the rotorspray.

5.1.2 Controlling the Dispensing Sequence

- Place the rotorspray in the workpiece at the wetting position and check the dispensing sequence.
- In the menu MANUAL OPERATION at the controller switch the rotor on and off (see operating instructions for the used controller).
- Check if the rotor rotates.
- Start dispensing cycles to check if the factory settings for the application are suitable. The Controller automatically switches on the rotorspray at the wetting position. The dispensing takes place automatically after the rotor reaches the rated speed and according to the preselected dispensing time.

If the dispensed quantity is too small or too large:

- Perform the adjustment of the dispensed quantity according to the operating instructions of the 97153 respectively 97152 Controller.
- Restart and check the dispensing sequence.
- Repeat the steps until the dispensing sequence is exactly as required and the dispensed quantity is correct.

5 Dispensing



Warning!

Only qualified repair personnel must perform tool service.

5.2 Adjusting the Rotorspray Parameters (Factory Settings)

The rotorspray parameters can be changed to the following parameters:

The rotor speed can be adjusted between 3,500 (switch position 0) and 8,000 rpm (switch position 9) in steps of 500 rpm. The speed is adjustable corresponding to the size of the rotor disk. The larger the disk the lower the speed.

When using the rotorspray with controller 97153/97204 or 97152 the starting-up current has to be limited to 0.8 A. Otherwise the power supply of the controller might be overloaded and switches off.

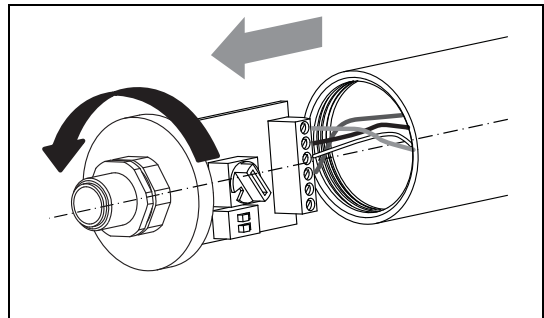
The monitoring time to reach the rated speed can be disabled. When this status is set, in case of failure no error message is displayed, even if the adjusted rotor speed has not been reached.

- Switch off the Loctite® Controller.
- Disconnect rotor cord **8** at the rotor.
- Unscrew lid.
- Carefully pull out the lid with PCB.
- Pay attention to the O ring.



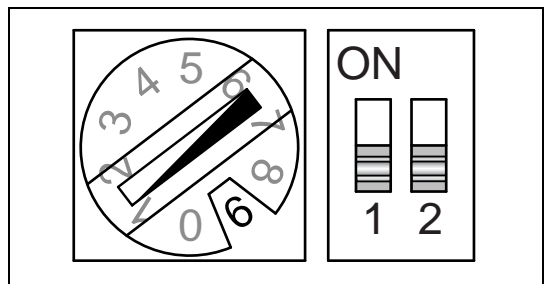
Caution!

To avoid the break of the wires during reassembly turn the lid 5 -6 x counter - clockwise. Then screw the lid to the housing.



The graphic shows the factory setting.

- To change the rotor speed turn the switch to the position, corresponding to the required speed.
- Dip switch 1 to ON changes the start-up current limitation to 2 A.
- Dip switch 2 to ON disables the monitoring of the acceleration time.



5 Dispensing

5.3 Shutdown

The Controller switches off the rotor automatically at the end of the dispensing time.
Shutdown for longer Periods.

**Caution!**

For pauses in the work of longer than 14 days, place the system out of operation to prevent curing of the product.

- Clean the rotor disk **4** according to Section 6.

5.4 Returning to Operation

The Controller automatically switches on the rotorspray when a start is initiated.
The dispensing takes place automatically after the rotor reaches the rated speed and according to the preselected dispensing time.

Returning to Operation after Longer Periods of Non-use

- Check the installation according to Section 4.
- Return to operation according to Section 5.1.

6 Care, Cleaning and Maintenance

The unit requires no special care and maintenance.

- Inspect shafts monthly for running in a balanced way.

Cleaning

- For periods of inactivity of more than 14 days or when the type of product is changed, remove and clean the rotor disk **6** and its shaft.

Liquid residues may be removed with several solvents. Chlorinated hydrocarbons will help to obtain optimum results; acetone would be the best alternative among nonCHC solvents.

**Warning!**

If chemical products are not properly handled, damage to health can result!
Observe general safety regulations and manufacturer's instructions for the handling of chemicals!

7 Troubleshooting

7.1 Troubleshooting

| Type of malfunction | Possible causes | Correction |
|---|---|--|
| <p>Rotor does not run. The error message (with beeping) blinks in the digital display of the Loctite controller.</p> <p>After starting a dispensing cycle the green LED in the plug lights whereas the orange does not.</p> | <ul style="list-style-type: none"> – Loctite Controller adjusted incorrectly. – Loose plug or connector on the connection cord. – Rotor cord 7 defect. – Rotorspray motor assembly or bearing assembly defect. – Controller defect. – Solenoid valve module defect. | <ul style="list-style-type: none"> • Check the settings in the SET-UP directory (see operating instructions for the Controller 97152 or 97153). • Switch off the power switch (controller). Tighten the plug or the connector of the connection cord and then switch on. • Replace the connection cord. • Replace the rotorspray motor assembly or the bearing assembly (see below). • Henkel Service. • Henkel Service. |
| <p>Rotor starts and stops after a short time. The green LED in the plug lights, the orange starts lightning and extinguishes.</p> | <ul style="list-style-type: none"> – The wrong start-up current limit is set. – Size of the rotor disk is not suitable to the adjusted start-up current limit. | <ul style="list-style-type: none"> • Set correct start-up current limit on dip switch 1 at the PCB. • Change setting or size of the rotor disk. |
| <p>Rotor starts and runs, but the Loctite controller reacts wrong.</p> | <ul style="list-style-type: none"> – Start-up current limit is not adjusted correctly. | <ul style="list-style-type: none"> • Adjust start-up current limit correct, see Section 5.2. |
| <p>Rotor does not reach full speed. Only the green LED in the plug lights.</p> | <ul style="list-style-type: none"> – Rotorspray was restricted in its mechanical movement and switched off. – Rotorspray motor assembly or bearing assembly defect. – Controller defect. | <ul style="list-style-type: none"> • Replace the rotorspray motor assembly or the bearing assembly, see Section 7.2. • Henkel Service. |

7 Troubleshooting

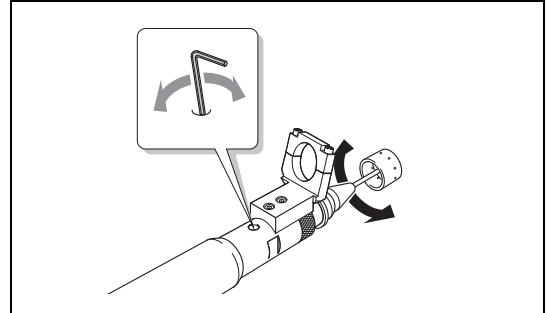


Warning!

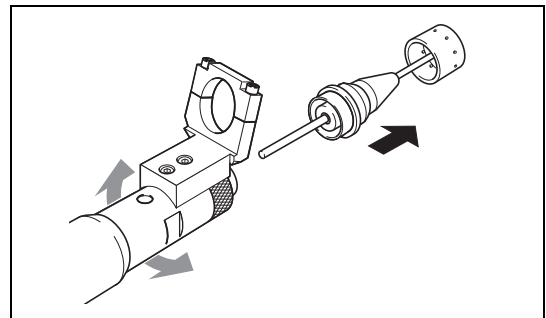
Only qualified repair personnel must perform tool service.

7.2 Replacement of Motor Assembly or Bearing Assembly

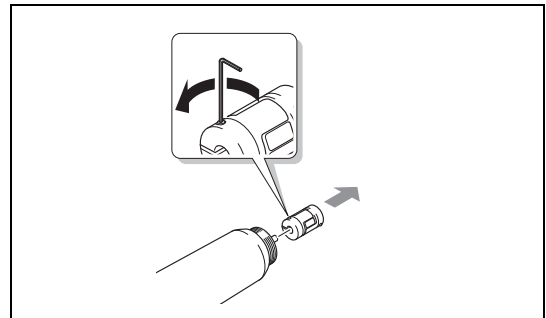
- Turn drive assembly **5** until the fastening screw of the shaft coupling can be seen in the access hole **3**.
- Loosen the shaft coupling.



- Remove drive assembly **5** and rotor disc **6** together with shaft.

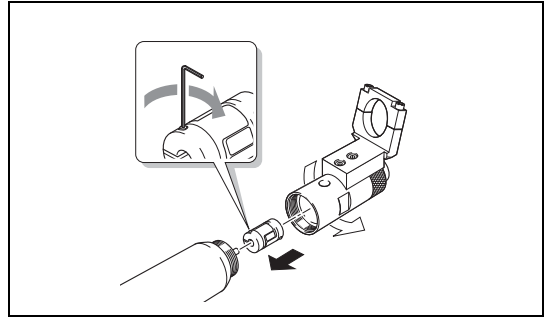


- Remove motorspray fronted assembly **2** from rotorspray motor assembly **1** and replace the defective part (without coupling).



7 Troubleshooting

- Srew rotorspray fronted assembly **2** into the rotorspray motor assembly **1**.
- Insert the shaft with the drive assembly **2** into the rotorspray motor assembly **1**.



- Insert the shaft with the drive assembly **5** and the rotor disc **6** to the stop.
- Tighten the shaft coupling again.

8 Annex

8.1 Accessories and Spare Parts

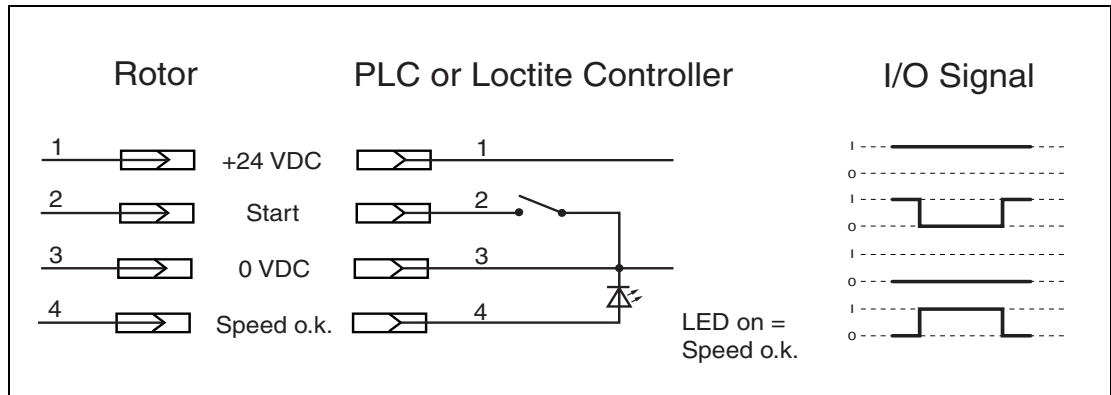


Also see the illustration on page 10.

| Pos. No. | Description | Loctite Type No. | Order No. |
|----------|---|------------------|------------|
| – | Rotor Head | 97266 | 187587 |
| 5 | Drive Head Assembly consists of: Rotor Head and Shaft \varnothing 5 mm | 97904 | 529501 |
| 6 | Rotor Disk Dia. 10 mm incl. Shaft | 97258 | 195868 |
| 6 | Rotor Disk Dia. 25 mm incl. Shaft | 97259 | 195870 |
| 6 | Rotor Disk with other diameters | | On request |
| 8 | Rotor Cord | 8952153 | 529525 |

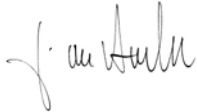
8.2 Pin Connection

Rotor



8 Annex

8.3 Declaration of Conformity

| Declaration of Conformity | |
|---|--|
| The Manufacturer according to the EC regulations | Henkel AG & Co. KGaA Standort München Gutenbergstr. 3 D-85748 Garching bei München |
| declares that the unit designated in the following is, as a result of its design and construction, in accordance with the European regulations, harmonized standards and national standards listed below. | |
| Designation of the unit | Rotorspray Type 97115 |
| Unit number | 135557 |
| Applicable EC Regulations | EC Directive of Machinery 2006/42/EC EC Directive for Electro-Magnetic Compatibility 2004/108/EG EC Directive of RoHS 2002/95/EG |
| Applicable harmonized standards | EN ISO 12100-1+A1:2009 EN ISO 12100-2+A1:2009 EN 14121-1:2007 EN60204-1+A1:2006/2009 EN 50082-1:1992, EN55014-4:1993, IEC-2,3,4. |
| Authorized person for technical files | Henkel AG & Co. KGaA Standort München Gutenbergstr. 3 D-85748 Garching bei München |
| Garching, 1 st Feb, 2011 |  (J. von Ameln) Business Director Adhesive Technologies |

Inhaltsverzeichnis

| | | |
|----------|---|-----------|
| 1 | Bitte beachten Sie | 28 |
| 1.1 | Hervorhebungen..... | 28 |
| 1.2 | Lieferumfang..... | 29 |
| 1.3 | Einsatzbereich (Bestimmungsgemäße Verwendung)..... | 29 |
| 1.4 | Zu Ihrer Sicherheit..... | 29 |
| 2 | Gerätebeschreibung | 32 |
| 2.1 | Funktionsbeschreibung..... | 32 |
| 2.2 | Bedienelemente und Anschlüsse..... | 35 |
| 3 | Technische Daten | 36 |
| 4 | Installieren | 36 |
| 4.1 | Umgebungsbedingungen..... | 37 |
| 4.2 | Montieren des Schleuderkopfes..... | 37 |
| 4.3 | Montieren des Dosierventils..... | 37 |
| 4.3.1 | Membrandosierventil 97135..... | 37 |
| 4.3.2 | Dosierventil 98009..... | 39 |
| 4.3.3 | Dosierventil 97113/97114..... | 40 |
| 4.4 | Montieren der Rotoreinheit..... | 42 |
| 4.5 | Anschließen..... | 43 |
| 5 | Dosieren | 44 |
| 5.1 | Erste Inbetriebnahme..... | 44 |
| 5.1.1 | Füllen des Produktschlauchs..... | 44 |
| 5.1.2 | Steuerung des Dosierablaufs..... | 44 |
| 5.2 | Einstellen der Rotorparameter (Werkseinstellung)..... | 45 |
| 5.3 | Außerbetriebnahme..... | 46 |
| 5.4 | Erneute Inbetriebnahme..... | 46 |
| 6 | Pflegen, Reinigen und Warten | 46 |
| 7 | Beseitigung von Störungen | 47 |
| 7.1 | Beseitigung von Störungen..... | 47 |
| 7.2 | Austausch der Antriebseinheit oder Lagereinheit..... | 48 |
| 8 | Anhang | 50 |
| 8.1 | Zubehör und Ersatzteile..... | 50 |
| 8.2 | Steckerbelegung..... | 50 |
| 8.3 | Konformitätserklärung..... | 51 |

1 Bitte beachten Sie



Für den gefahrlosen und erfolgreichen Einsatz des Gerätes diese Anleitung vollständig lesen. Werden die Anweisungen nicht befolgt, übernimmt der Hersteller keine Garantie. Bewahren Sie diese Anleitung nach Durchsicht griffbereit auf.

Beziehen sie sich auf das technische Datenblatt des eingesetzten Klebstoffes unter der Adresse www.loctite.com oder fragen sie beim örtlichen technischen Service nach.

1.1 Hervorhebungen



Warnung!

Gefahr ist das Signalwort, das auf eine akute Gefahrensituation hinweist, die, wenn sie nicht vermieden wird, zum Tod oder zu schweren Verletzungen führt.



Achtung!

Achtung ist das Signalwort, das auf eine möglicherweise gefährliche Situation hinweist, die, wenn sie nicht vermieden wird, zu leichten oder geringfügigen Verletzungen führen könnte.



Hinweis!

Gibt Empfehlungen zum besseren Handhaben des Gerätes bei Bedien- und Einstellvorgängen sowie Pflegearbeiten.

Die fett gedruckten Zahlen im Text beziehen sich auf die entsprechende Positionsnummer in der Abbildung auf Seite **35**.

•Der Punkt hebt einen Handlungsschritt hervor.

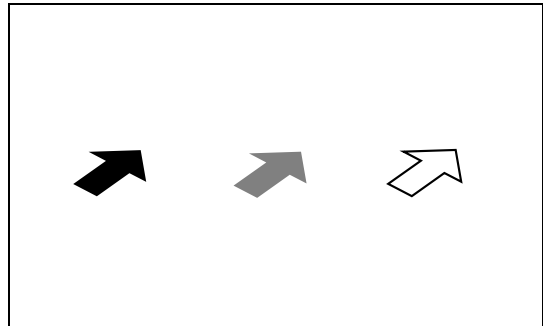
Handlungsschritte in den Abbildungen sind durch Pfeile gekennzeichnet.

Werden mehrere Handlungsschritte in einer Abbildung dargestellt, bedeutet ein:

Schwarzer Pfeil = 1. Handlungsschritt

Grauer Pfeil = 2. Handlungsschritt

Weißer Pfeil = 3. Handlungsschritt



1 Bitte beachten Sie

1.2 Lieferumfang

1 Rotoreinheit 97115, Bestellnr. 135557

1 Schleuderkopf, Ø10 mm mit Rotorwelle, Ø 3 mm

1 Bedienungsanleitung

1 Schleuderkopf, Ø 25 mm mit Rotorwelle, Ø 5 mm

1 Rotor-Anschlusskabel



Hinweis!

Bedingt durch die technische Entwicklung können die Abbildungen und Beschreibungen in dieser Bedienungsanleitung vom tatsächlich ausgelieferten Gerät abweichen..

1.3 Einsatzbereich (Bestimmungsgemäße Verwendung)

Mit der Rotoreinheit 97115 können LOCTITE®-Produkte auf die zylindrischen Innenflächen von Werkstücken aufgetragen werden.

Die Rotoreinheit wird in Verbindung mit den Dosierventilen 97134 oder 97135/ 97136 eingesetzt. Der Volumendosierer 983330 kann ebenfalls mit dieser Rotoreinheit kombiniert werden.

Es kann auch das LOCTITE®-Steuergerät 97152 mit integrierter Ventilinsel, das Steuergerät 97153 mit externer Ventil-Insel 97204 oder ein entsprechendes Steuergerät für den Volumendosierer benutzt werden.

Mit der Rotoreinheit 97115 können nur niedrigviskose anaerobe Klebstoffe aufgetragen werden und keine Cyanoacrylate.

1.4 Zu Ihrer Sicherheit

Informationen über das eingesetzte Loctite®-Produkt finden Sie unter der Adresse www.equipment-loctite.com in dem entsprechenden Technischen Datenblatt, oder fordern Sie hier das Technische Datenblatt und das Sicherheitsdatenblatt (gem. EU Richtlinie 91/155/EU) an bei:

Henkel AG & Co. KGaA

+49 89 320800-0

089-320800-1600

für die englische Version der Datenblätter;

für die deutsche Version der Datenblätter.

ANWEISUNGEN in diesen Datenblättern sind unbedingt zu befolgen!

1 Bitte beachten Sie



Warnung!

Zur Verringerung der Verletzungsgefahr müssen Anwender die Bedienungsanleitung lesen und verstehen!

Elektrogeräte nicht in explosionsfähiger Atmosphäre betreiben, z. B. in Gegenwart von brennbaren Flüssigkeiten, Gasen oder Stäuben.

Missbräuchliche Verwendung des Kabels vermeiden. Kabel niemals zum Tragen der Geräte verwenden, oder mit dem Kabel den Stecker aus der Dose ziehen. Kabel von Hitze, scharfen Kanten oder beweglichen Teilen fernhalten.

Auf ordnungsgemäße Kleidung achten. Keine losen Kleidungs- oder Schmuckstücke tragen. Lange Haare zurückbinden oder bedecken. Haare, Kleidung und Handschuhe von beweglichen Teilen fernhalten.

Unbeabsichtigtes Einschalten vermeiden. Vor dem Ein- und Ausstecken des Steckers darauf achten, dass das Gerät ausgeschaltet ist.

Vor dem Anschalten des Gerätes Werkzeug zum Einstellen entfernen.

Sicherheitseinrichtungen benutzen. Immer Augenschutz tragen.

Vor der Durchführung von Einstellungen, dem Austausch von Zubehör oder dem Lagern des Gerätes immer den Versorgungsstecker ziehen.

Auf Ausrichtungsfehler oder Festsitzen von beweglichen Teilen, Bruch von Teilen und alle eventuellen anderen Zustände prüfen, die den Betrieb der Geräte beeinträchtigen könnten. Bei Beschädigung das Gerät vor Gebrauch instand setzen lassen.

Nur das vom Hersteller für Ihr Modell empfohlene Zubehör verwenden.

1 Bitte beachten Sie



Wartungs- und Reparaturarbeiten dürfen nur durch qualifiziertes Reparaturpersonal ausgeführt werden.

Für Wartungs- und Reparaturarbeiten nur identische Ersatzteile verwenden.
Anweisungen im Abschnitt „Beseitigung von Störungen“ in dieser Anleitung befolgen.

Allgemeine Sicherheitsvorschriften und Anweisungen des Herstellers für den Umgang mit Chemikalien beachten! Wenn chemische Produkte nicht ordnungsgemäß gehandhabt werden, kann dies zu Gesundheitsschäden führen!
Sicherheitsdatenblatt des eingesetzten LOCTITE®-Produktes anfordern!

Das Gerät eignet sich nicht für die Verarbeitung von Cyanacrylatklebstoffen. Diese Produkte härten durch Reaktion mit der Luftfeuchtigkeit aus und verstopfen die Benetzungsbohrungen des Schleuderkopfes!

Der Schleuderkopf muss die erforderliche Benetzungsposition genau erreichen können, ohne mit irgendwelchen Hindernissen in Berührung zu kommen!

2 Gerätebeschreibung

2.1 Funktionsbeschreibung

Die Rotoreinheit 97115 wird in eine Befestigungskonsole eingespannt. Das Dosierventil wird so in der Aufnahme an der Rotoreinheit befestigt, dass die Spitze der flexiblen Dosiernadel auf die Innenseite der Benetzungsbohrungen in der Schleuderscheibe gerichtet ist.

Über das LOCTITE®-Steuergerät 97153/97204 oder Steuergerät 97152 werden folgende Funktionen angesteuert:

- Das Einschalten der Rotoreinheit.
- Das Dosieren während der vorgegebenen Dosierzeit nach Erreichen der Rotor-
Nennzahl.
- Das Abschalten der Rotoreinheit.

Solange das Dosierventil geöffnet ist, wird das Produkt aufgrund der Zentrifugalkraft durch die Benetzungsbohrungen geschleudert und gleichmäßig auf die Innenwandung der Bohrung abgegeben.

In Verbindung mit einer Vorschubeinheit erfolgt das Dosieren abhängig vom Einschalten der Rotoreinheit am Ende der Vorschubbewegung (Raupendosierung).

Der Triebatz der Rotoreinheit verfügt über ein Längsspiel von 5 mm. In dieser Größenordnung kann das unbeabsichtigte Auffahren auf ein Hindernis ausgeglichen werden, ohne dass die Schleuderscheibe oder der Triebatz mit der Welle beschädigt werden. Darüber hinaus ist er so konstruiert, dass bei einem Zurückfließen des Produktes der Triebatz und das Rotorgehäuse nicht miteinander verkleben können. Durch das Längsspiel und die spezielle Konstruktion des Triebatzes ist eine einwandfreie Funktion gewährleistet.

Bei Auftreten einer Störung im Dosierablauf:

- wird der Dosierablauf unterbrochen,
- die Rotoreinheit wird abgeschaltet, ggf. wird die Vorschubeinheit zurückgefahren,
- durch das Steuergerät wird eine Fehlermeldung mit einem akustischen Piepsignal angezeigt (siehe Abschnitt 7).

2 Gerätebeschreibung

Die integrierte Elektronik kann den jeweiligen Gegebenheiten der Anwendung angepasst werden.

Die Werkseinstellung ist wie folgt:

- Die Rotor-Drehzahl ist auf 8.000 U/min eingestellt (Schalterstellung 9).
- Der Einschaltstrom ist auf 0.8 A begrenzt (DIP Schalter 1 AUS).
- Die Überwachungszeit für die Erreichung der vorgegebenen Drehzahl ist auf Schalterstellung ON eingestellt, d.h. 0.5 sec (DIP Schalter 2 AUS).

Die Überwachungszeit von 0.5 sec ist ein zusätzlicher Kollisionsschutz für kleine Schleuderscheiben.

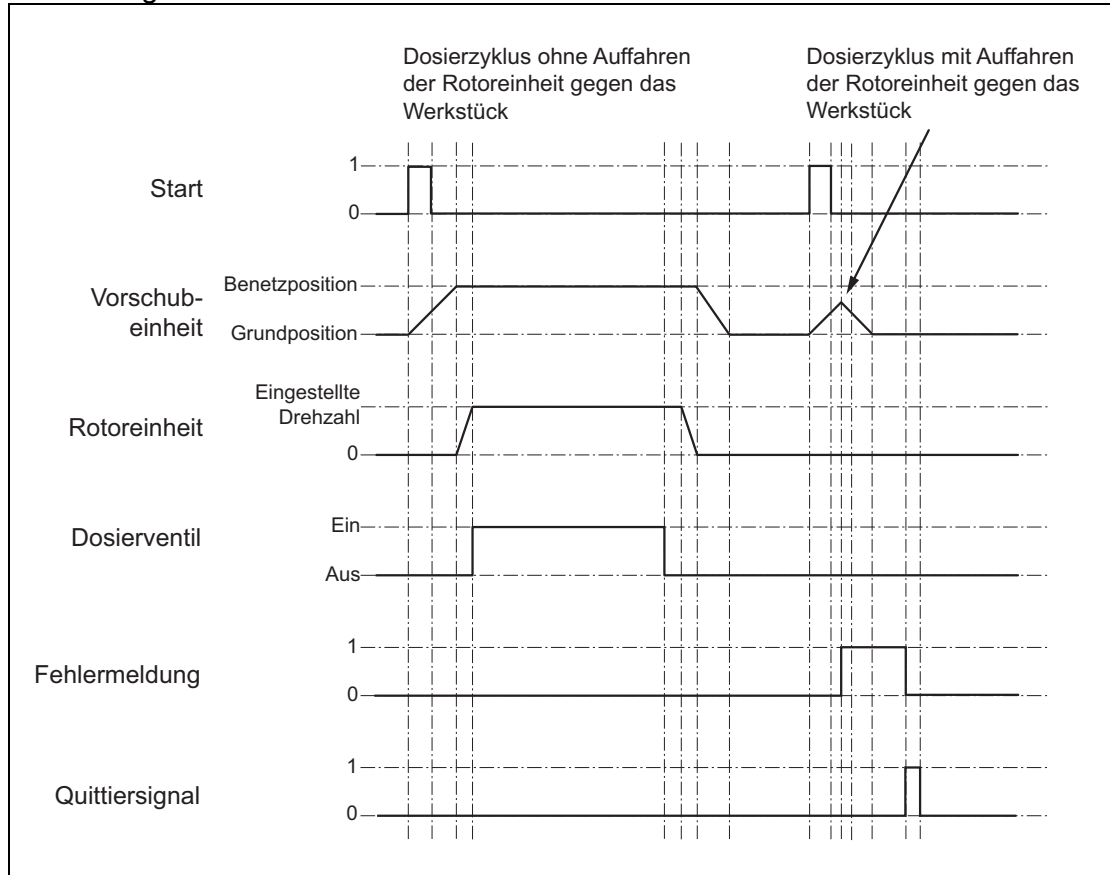
Bei Verwendung von größeren Schleuderscheiben (> Ø 40 mm) sollte keine Überwachungszeitgrenze eingestellt werden.

Wenn eine keine Überwachungszeit eingestellt ist, wird bei nicht Erreichen der eingestellten Drehzahl keine Fehlermeldung erfolgen.

Angaben zum Ändern der Werkseinstellungen siehe Abschnitt 5.2.

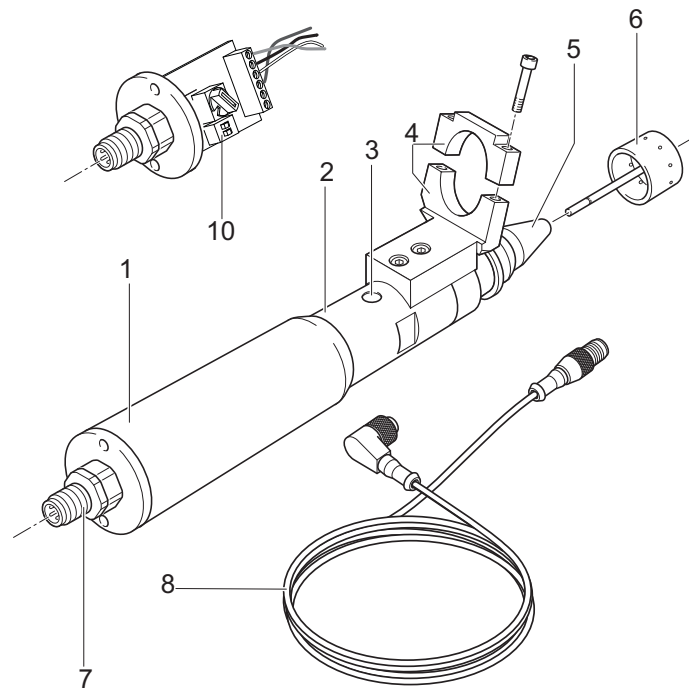
2 Gerätebeschreibung

Ablaufdiagramm



2 Gerätebeschreibung

2.2 Bedienelemente und Anschlüsse

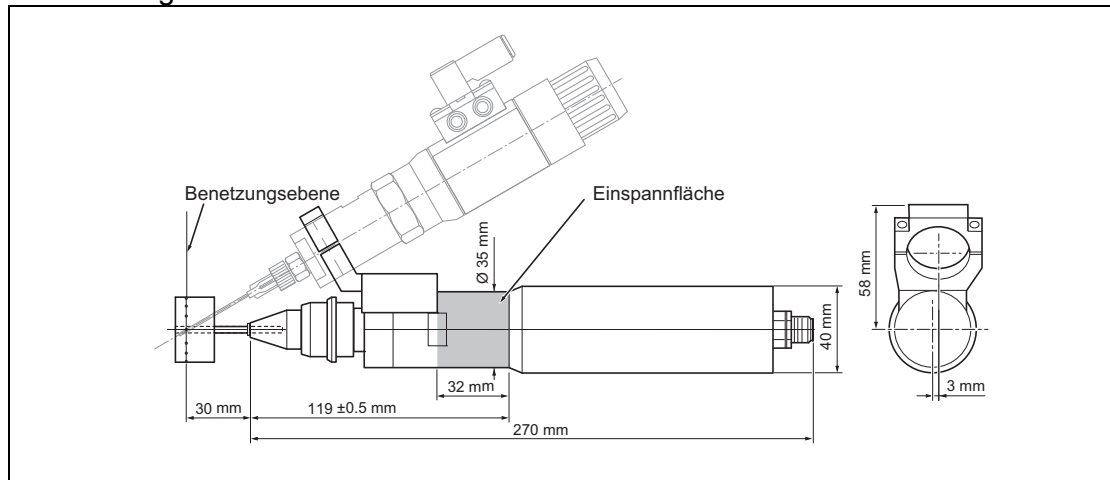


- 1 **Antriebsgehäuse**
- 2 **Lagergehäuse**
- 3 **Gehäuseöffnung**
Ermöglicht den Zugang zur Befestigungsschraube der Wellenkupplung
- 4 **Aufnahme** für Dosierventil
- 5 **Rotorkopf** mit 5 mm Längsspiel.
- 6 **Schleuderkopf** mit Rotorwelle.
 - Schleuderkopf unter \varnothing 15 mm mit Welle \varnothing 3 mm.
 - Schleuderkopf \varnothing 15 mm oder größer mit Welle \varnothing 5 mm.
- 7 **4-poliger Buchse** zum Anschließen der SPS oder des Loctite®-Steuergerätes
- 8 **Rotor-Anschlusskabel** mit Status-LEDs.
- 9 **Adapterring** als zusätzliche Aufnahme für das Membrandosierventil (nicht gezeigt).
- 10 **Leiterplatte** mit Dip-Schalter und Geschwindigkeitsvorwahlschalter.

3 Technische Daten

| | |
|--|--|
| Nenndrehzahl | 8.000 U/min (Schalterstellung 9) |
| Einstellbarer Drehzahlbereich | 3.500 – 8.000 U/min in Schritten von je 500 U/min |
| Nenn-Einschaltstrom | 0.8 A (DIP Schalter 1 OFF) |
| Einstellbarer Einschaltstrom | 2 A (DIP Schalter 1 ON) |
| Vorgegebene Überwachungszeit zur Erreichung der Drehzahl | 0.5 sec (DIP Schalter 2 OFF) |
| Einstellbare Überwachungszeit zur Erreichung der Drehzahl | Unbegrenzt (DIP Schalter 2 ON) |
| Nennspannung | 24 VDC |
| Leistungsaufnahme | Dauerstrom ~ 0,2 A, Einschaltstrom bis 2 A |
| Umgebungs- und Betriebstemperatur | +10°C bis +40°C (+50°F bis +104°F) |
| Lagertemperatur | -10°C bis +60°C (+14°F bis +140°F) |
| Gewicht | 0,530 kg |

Abmessungen



4 Installieren

4.1 Umgebungsbedingungen

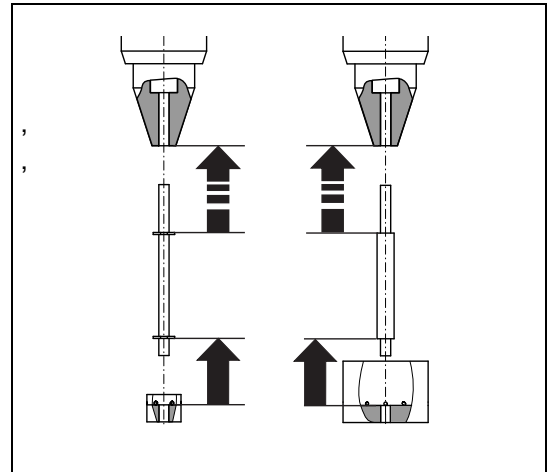
- Keine kondensierende Feuchtigkeit.
- Kein Spritzwasser!

4.2 Montieren des Schleuderkopfes

- Schleuderscheibe **6** wie in der Grafik rechts gezeigt montieren.



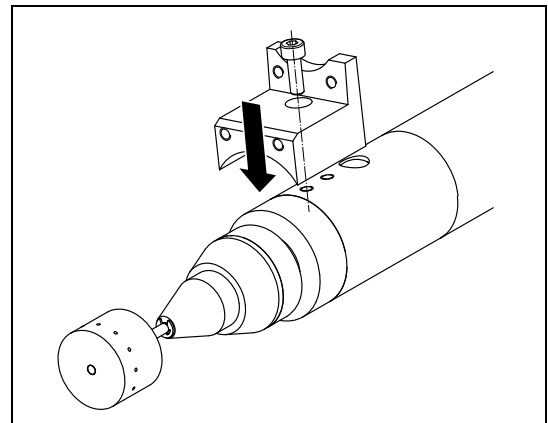
Um eine Unwucht weitmöglichst zu verhindern, sollten Vorrichtungen eingesetzt werden, die ein genaues Fluchten bei der Montage von Welle und Scheibe gewährleisten.



4.3 Montieren des Dosierventils

4.3.1 Membrandosierventil 97135

- Montieren Sie die Halterung an die Rotoreinheit in die Bohrung, die sich näher am Rotorkopf befindet.

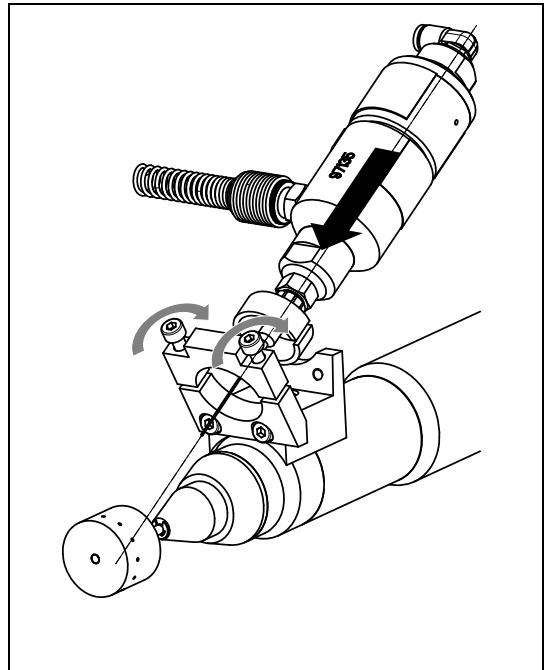


4 Installieren

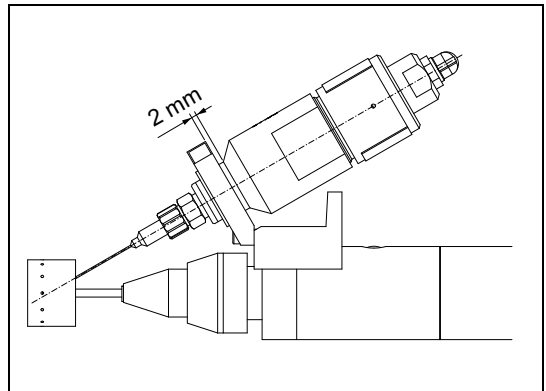
- Die Dosierventilaufnahme (Klemmstück) an die vordere Stirnfläche der Halterung schrauben.
- Beide Schrauben der oberen Halbschale lösen.
- Das Dosierventil mit Dosiernadel in die Dosierventilaufnahme einführen mit dem mitgelieferten Adapterring.



Achten Sie auf die Dosiernadel. Sie muss in die Rotorscheibe zeigen.



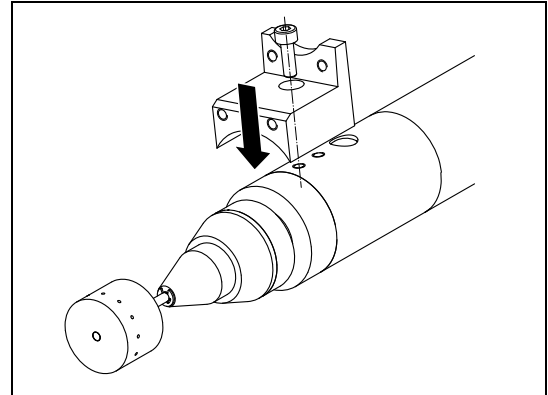
- Befestigen Sie das Ventil mit den beiden Klemmschrauben. Der Abstand zwischen der Dosierventilaufnahme und der oberen Kante der Klemmfläche sollte ca. 2 mm betragen. Die Spitze der Nadel darf die innere Fläche der Rotorscheibe nicht berühren.



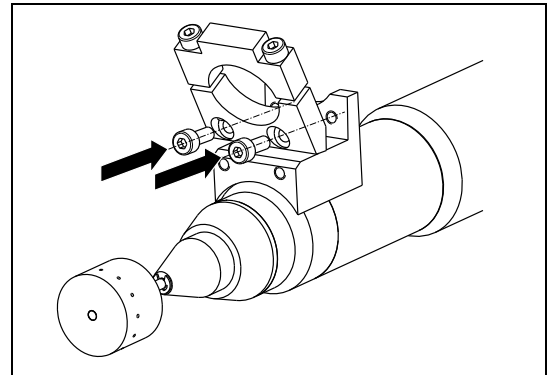
4 Installieren

4.3.2 Dosierventil 98009

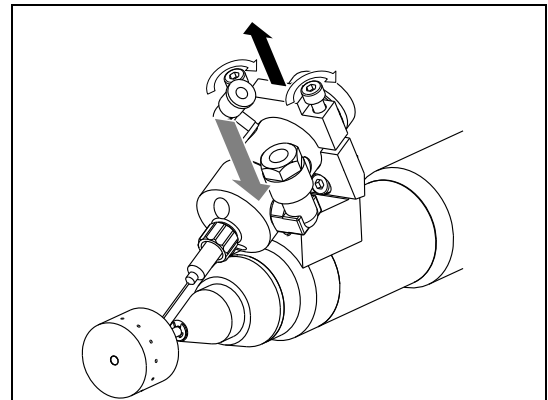
- Montieren Sie die Halterung an die Rotoreinheit in die Bohrung, die sich näher am Rotorkopf befindet.



- Die Dosierventilaufnahme (Klemmstück) an die hintere, leicht geneigte Stirnfläche der Halterung schrauben.



- Beide Schrauben der oberen Halbschale lösen.
- Obere Halbschale entfernen.
- Das Dosierventil ohne Dosiernadel in die Dosierventilaufnahme einführen und Halbschale wider aufsetzen..

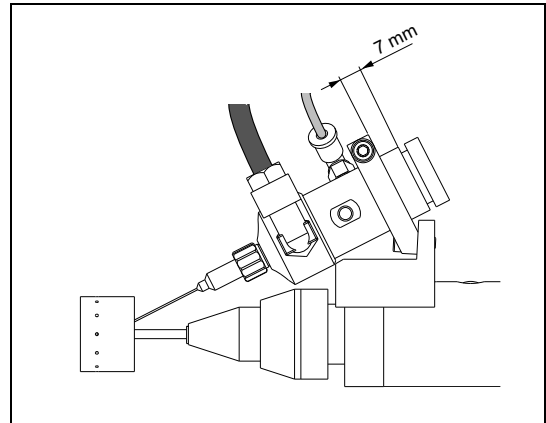


4 Installieren

- Befestigen Sie das Ventil mit der Klemmschraube. Der Abstand zwischen der Dosierventilaufnahme und der oberen Kante der Klemmfläche sollte ca. 7 mm betragen.
Die Spitze der Nadel, darf die innere Fläche der Scheibe nicht berühren.

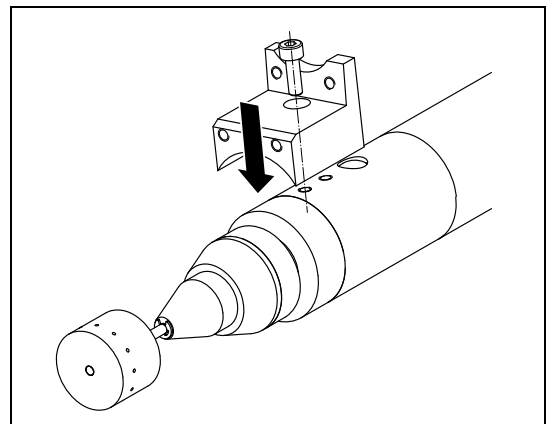


Achten Sie auf die Dosiernadel. Sie muss in die Rotorscheibe zeigen.



4.4.3 Dosierventil 97113/97114

- Montieren Sie die Halterung an die Rotoreinheit in die Bohrung, die sich näher am Rotorkopf befindet.

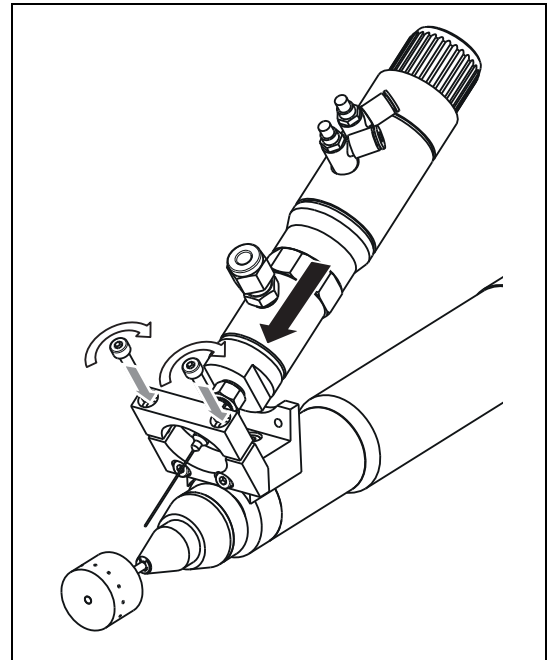


4 Installieren

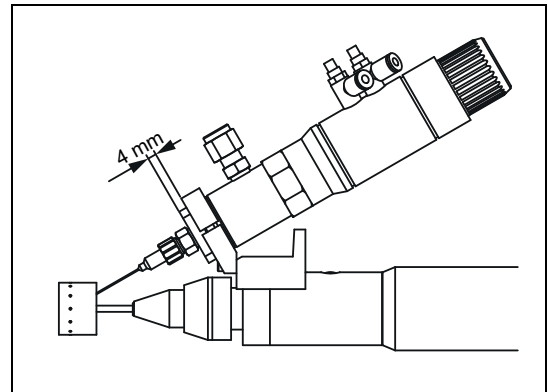
- Die Dosierventilaufnahme (Klemmstück) an die vordere Stirnfläche der Halterung schrauben.
- Beide Schrauben der oberen Halbschale lösen.
- Das Dosierventil mit Dosiernadel in die Dosierventilaufnahme einführen mit dem mitgelieferten Adapterring.



Hinweis!
Achten Sie auf die Dosiernadel. Sie muss in die Rotorscheibe zeigen.



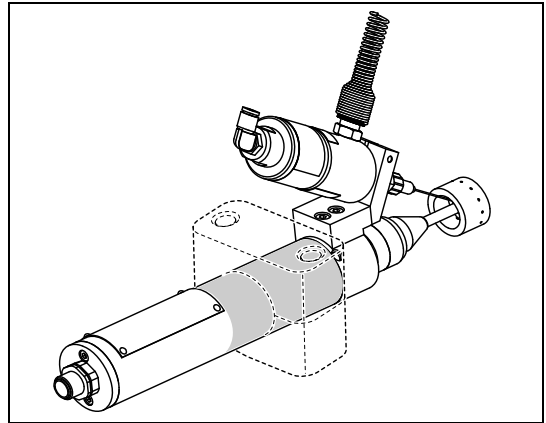
- Befestigen Sie das Ventil mit den beiden Klemmschrauben. Der Abstand zwischen der Dosierventilaufnahme und der oberen Kante der Klemmfläche sollte ca. 4 mm betragen. Die Spitze der Nadel darf die innere Fläche der Rotorscheibe nicht berühren.



4 Installieren

4.4 Montieren der Rotoreinheit

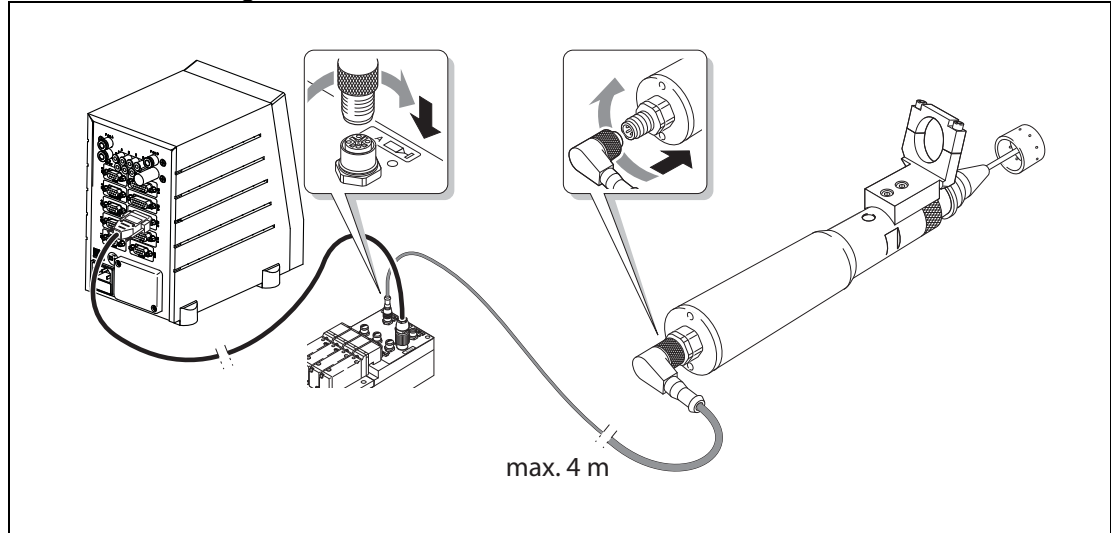
- Rotoreinheit an der Einspannfläche in eine Aufnahme einspannen, z. B. in die Befestigungskonsolle der Vorschubeinheit 97118/97119.



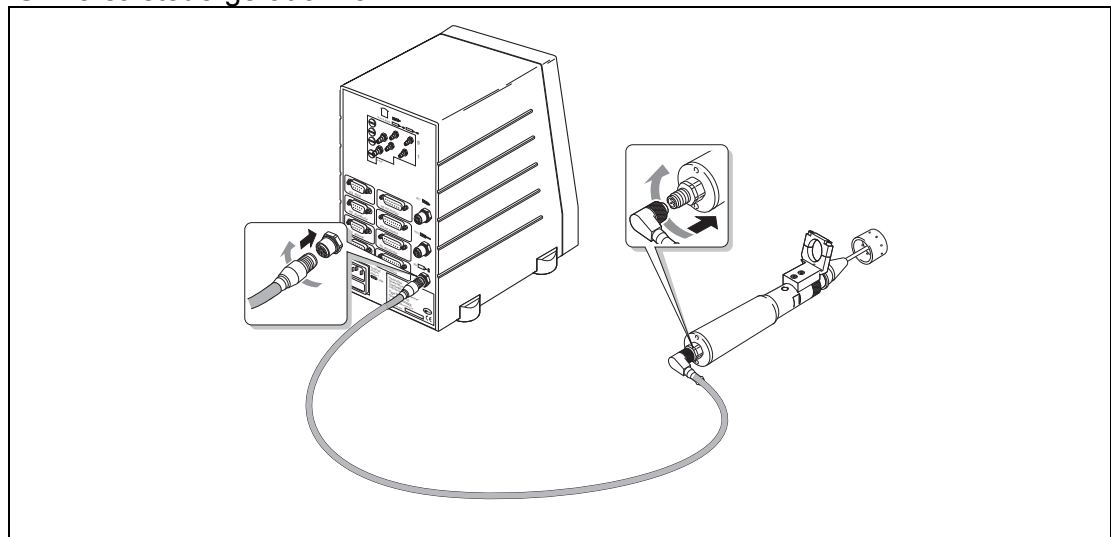
4 Installieren

4.5 Anschließen

Mehrkanalsteuergerät 97153 / 97204



Universalsteuergerät 97152



5 Dosieren

5.1 Erste Inbetriebnahme

5.1.1 Füllen des Produktschlauchs



Hinweis!

Um Luftblasen beim Dosieren zu vermeiden, müssen der Produktschlauch und das Dosierventil gefüllt werden.



Achtung!

Auffangbehälter unter das Dosierventil stellen, da Produkt ausfließt!

- Produktschlauch vor dem Montieren der Rotoreinheit gemäß der Bedienungsanleitung des eingesetzten Dosierventils füllen.

5.1.2 Steuerung des Dosierablaufs

- Rotoreinheit in die Benetzungsposition im Werkstück bringen und den Dosierablauf überprüfen.
- Im Menü HANDBETRIEB den Rotor ein- und ausschalten (siehe Bedienungsanleitung des eingesetzten Steuergerätes).
- Prüfen, ob der Rotor sich dreht.
- Mehrere Dosiervorgänge starten, um festzustellen, ob die Werkseinstellungen für die Anwendung geeignet sind.

Das Gerät wird in der Benetzungsposition automatisch von dem Steuergerät eingeschaltet. Das Dosieren erfolgt automatisch ab Erreichen der Rotor-Nenn Drehzahl und entsprechend der vorgegebenen Dosierzeit.

Wenn die Dosiermenge zu klein oder zu groß ist:

- Dosiermenge gemäß Bedienungsanleitung des Steuergerätes 97153 bzw. 97152 einstellen.
- Erneut Start auslösen und den Dosierablauf überprüfen.
- Diese Schritte wiederholen, bis der Dosierablauf genau wie gewünscht erfolgt und die Dosiermenge korrekt ist.

5 Dosieren



Warnung!

Wartungs- und Reparaturarbeiten dürfen nur durch qualifiziertes Reparaturpersonal ausgeführt werden.

5.2 Einstellen der Rotorparameter (Werkseinstellung)

Die Rotorparameter können wie folgt verändert werden:

Die Rotor-Drehzahl kann in Schritten von je 500 U/min im Bereich zwischen 3.500 (Schalterstellung 0) und 8.000 U/min (Schalterstellung 9) angepasst werden. Die Drehzahl entsprechend der Größe der jeweiligen Schleuderscheibe einstellen. Je größer die Schleuderscheibe, desto kleiner die Drehzahl.

Bei Einsatz der Rotoreinheit in Verbindung mit dem Steuergerät 97153/97204 oder 97152 muss der Einschaltstrom auf 0.8 A begrenzt werden, sonst besteht Gefahr, dass das Netzteil des Steuergerätes überlastet wird und abschaltet.

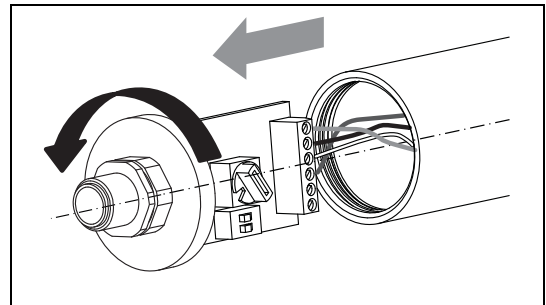
Die Überwachungszeit für das Erreichen der vorgegebenen Drehzahl kann auf OFF umgestellt werden. Wenn dieser Status eingestellt ist, wird im Falle eines Fehlers keine Fehlermeldung angezeigt. Aber die eingestellte Rotor-Drehzahl wird möglicherweise nicht erreicht.

- Loctite® Steuergerät abschalten und Rotor-Anschlusskabel **8** vom Rotor lösen.
- Deckel abschrauben.
- Platine vorsichtig herausziehen
- Auf O-Ring achten.



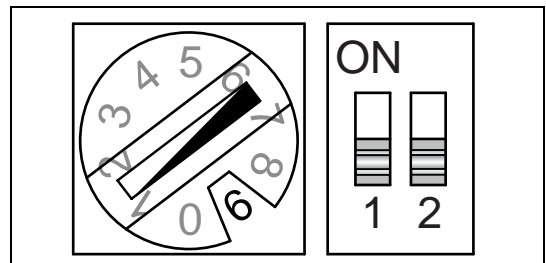
Achtung!

Um das Abreißen der Drähte bei der Montage zu verhindern muss der Deckel 5-6 mal gegen den Uhrzeigersinn gedreht werden.



Die Grafik zeigt die Werkseinstellung.

- Zum Verstellen der Rotor-Drehzahl den Schalter in die Stellung drehen, die der erforderlichen Drehzahl entspricht.
- DIP-Schalter 1 auf ON verändert die Einschaltstrombegrenzung auf 2 A.
- DIP-Schalter 2 auf ON setzt die Überwachungszeit auf **keine Überwachung**.



5 Dosieren

5.3 Außerbetriebnahme

Der Rotor wird am Ende der Dosierzeit automatisch durch das Steuergerät ausgeschaltet.

Außerbetriebnahme für längere Stillstandszeiten



Achtung!

Bei Arbeitspausen von mehr als 14 Tagen ist das System außer Betrieb zu nehmen, um Produktaushärtungen zu vermeiden.

- Schleuderscheibe 4 wie in Abschnitt 6 beschrieben reinigen.

5.4 Erneute Inbetriebnahme

Die Rotoreinheit wird automatisch von dem Steuergerät eingeschaltet, wenn ein Start ausgelöst wird. Das Dosieren erfolgt automatisch ab Erreichen der Rotor-Nennzahl und entsprechend der vorgegebenen Dosierzeit.

Erneute Inbetriebnahme nach längerer Stilllegung

- Installation gemäß Abschnitt 4 überprüfen.
- Erneute Inbetriebnahme gemäß Abschnitt 5.1.

6 Pflegen, Reinigen und Warten

Das Gerät bedarf keiner besonderen Pflege und Wartung.

- Monatlich sollten die Rotorwellen auf Unwucht im Betrieb überprüft werden.

Reinigung

- Bei Stillstandszeiten von mehr als 14 Tagen oder bei einem Wechsel des Produkttyps die Schleuderscheibe 6 mit der Rotorwelle abnehmen und reinigen.

Flüssigkeitsreste können mit verschiedenen Lösungsmitteln entfernt werden. Optimale Ergebnisse lassen sich mit chlorierten Kohlenwasserstoffen erzielen; Aceton wäre die beste Alternative unter den CKW-freien Lösungsmitteln.



Warnung!

Wenn chemische Produkte nicht ordnungsgemäß gehandhabt werden, kann dies zu Gesundheitsschäden führen. Allgemeine Sicherheitsvorschriften und Anweisungen des Herstellers für den Umgang mit Chemikalien beachten!

7 Beseitigung von Störungen

7.1 Beseitigung von Störungen

| Art der Störung | Mögliche Ursachen | Abhilfe |
|--|--|---|
| Rotor läuft nicht. In der Digitalanzeige des Loctite Steuergerätes blinkt die Fehlermeldung (mit Piepsignal) | <ul style="list-style-type: none">– Loctite Steuergerät falsch eingestellt.– Stecker bzw. Buchse des Anschlusskabels lose. | <ul style="list-style-type: none">• Einstellung im Peripherie-Menü ANSCHLUSSGERÄTE prüfen (siehe Bedienungsanleitung für Steuergerät 97152 oder 97153).• Netzschalter (Steuergerät) ausschalten. Stecker bzw. Buchse des Anschlusskabels festziehen, dann einschalten. |
| Nach dem Starten eines Dosiervorgangs leuchtet die grüne LED im Stecker, die orangefarbene leuchtet nicht. | <ul style="list-style-type: none">– Rotor-Anschlusskabel 7 defekt.– Rotor-Antriebseinheit oder Lagereinheit defekt.– Steuergerät defekt.– Ventilinsel defekt. | <ul style="list-style-type: none">• Anschlusskabel auswechseln.• Rotor-Antriebseinheit oder Lagereinheit auswechseln (s. u.).• Henkel Service.• Henkel Service. |
| Rotor startet und stoppt nach kurzer Zeit. Die grüne LED im Stecker leuchtet, die orangefarbene leuchtet kurz auf und geht aus. | <ul style="list-style-type: none">– Falsche Einschaltstrom-Begrenzung eingestellt.– Größe der Schleuderscheibe passt nicht zur eingestellten Einschaltstrombegrenzung. | <ul style="list-style-type: none">• Korrekte Einschaltstrombegrenzung am DIP Schalter 1 auf der Platine einstellen.• Einstellung oder Größe der Schleuderscheibe ändern. |
| Rotor startet und läuft, aber das Loctite Steuergerät reagiert falsch. | <ul style="list-style-type: none">– Einschaltstrombegrenzung nicht korrekt eingestellt. | <ul style="list-style-type: none">• Einschaltstrombegrenzung korrekt einstellen – siehe Abschnitt 5.2. |
| Rotor erreicht nicht die volle Geschwindigkeit. Nur die grüne LED im Stecker leuchtet. | <ul style="list-style-type: none">– Rotoreinheit wurde in der Bewegung mechanisch behindert und schaltet ab.– Rotor-Antriebseinheit oder Lagereinheit defekt.– Steuergerät defekt. | <ul style="list-style-type: none">• Rotor-Antriebseinheit oder Lagereinheit auswechseln, siehe Abschnitt 7.2.• Henkel Service. |

7 Beseitigung von Störungen

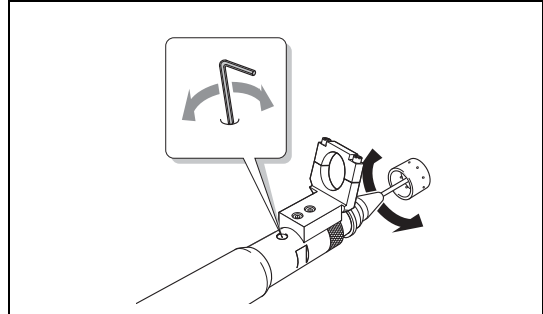


Warnung!

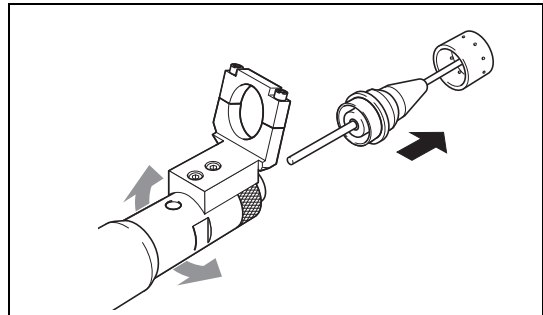
Wartungs- und Reparaturarbeiten dürfen nur durch qualifiziertes Reparaturpersonal ausgeführt werden.

7.2 Austausch der Antriebseinheit oder Lagereinheit

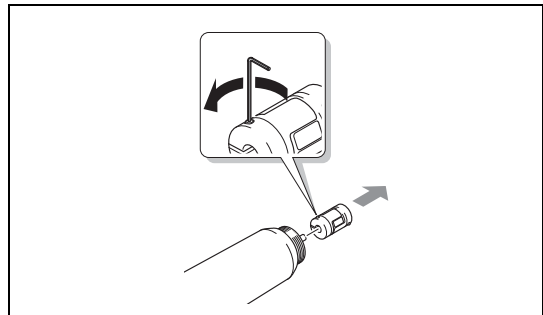
- Den Triebssatz **5** drehen, bis die Befestigungsschraube der Wellenkupplung in der Gehäuseöffnung **3** sichtbar wird.
- Die Wellenkupplung lösen.



- Den Triebssatz **5** und Schleuderscheibe **6** mit Welle abziehen.

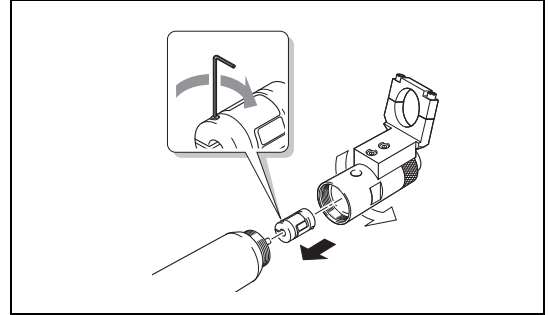


- Das Lagergehäuse **2** vom Antriebsgehäuse **1** abschrauben und das defekte Teil (ohne Kupplung) auswechseln).



7 Beseitigung von Störungen

- Das Lagergehäuse **2** in das Antriebsgehäuse **1** einschrauben



- Welle mit Triebatz **5** und Schleuderscheibe **6** bis zum Anschlag aufstecken.
- Die Wellenkupplung wieder festziehen.

8 Anhang

8.1 Zubehör und Ersatzteile

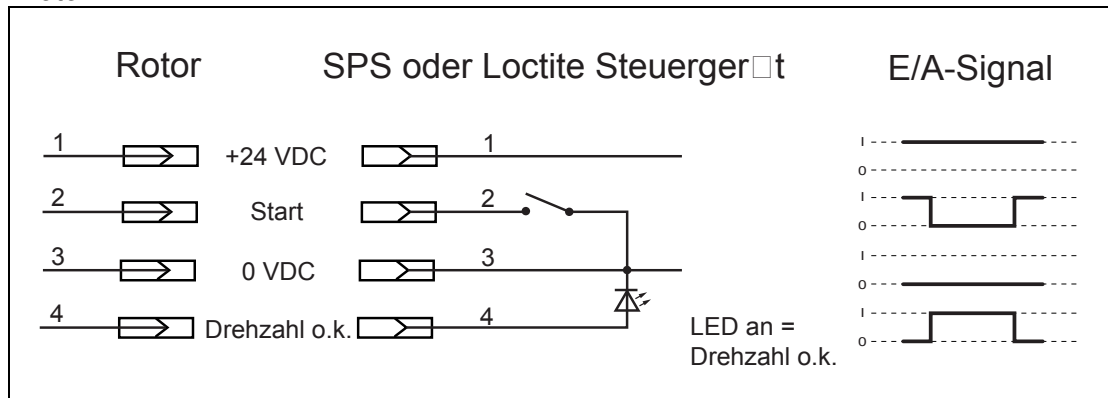


Siehe auch Abbildung auf Seite 31.

| Pos. Nr. | Bezeichnung | Loctite Typ-Nr. | Bestell-Nr. |
|----------|--|-----------------|-------------|
| – | Rotorkopf | 97266 | 187587 |
| 5 | Triebatz bestehend aus: Rotorkopfberteil und Antriebswelle Ø 5 mm | 97904 | 529501 |
| 6 | Schleuderscheibe Ø 10 mm mit Welle..... | 97258 | 195868 |
| 6 | Schleuderscheibe Ø 25 mm mit Welle..... | 97259 | 195870 |
| – | Schleuderscheibe, andere Durchmesser..... | | On request |
| 8 | Rotorkabel 2 m..... | 8952153 | 529525 |

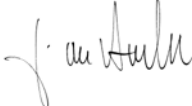
8.2 Steckerbelegung

Rotor



8 Anhang

8.3 Konformitätserklärung

| Konformitätserklärung | |
|---|--|
| Der Hersteller gemäß der EU-Richtlinien | Henkel AG & Co. KGaA Standort München Gutenbergstr. 3 D-85748 Garching bei München |
| erklärt, dass das nachfolgend bezeichnete Gerät auf Grund seiner Konzipierung und Bauart den unten aufgeführten europäischen Richtlinien, harmonisierten Normen und nationalen Normen entspricht. | |
| Bezeichnung des Gerätes | Rotorspray Typ 97115 |
| Gerätenummer | 135557 |
| Einschlägige EU-Richtlinien | EU-Richtlinie Elektromagnetische Verträglichkeit 2004/108/EG EU-Maschinenrichtlinie 2006/42/EC EU-Richtlinie RoHS 2002/95/EG |
| Angewandte harmonisierte Normen | EN ISO 12100-1+A1:2009 EN ISO 12100-2+A1:2009 EN 14121-1:2007 EN60204-1+A1:2006/2009 EN 50082-1:1992, EN55014-4:1993, IEC-2,3,4. |
| Bevollmächtigter für die technischen Unterlagen | Henkel AG & Co. KGaA Standort München Gutenbergstr. 3 D-85748 Garching bei München |
| Garching, 01. 02. 2011 |  (J. von Ameln) Business Director Adhesive Technologies |

Henkel AG & Co. KGaA
Standort München
Gutenbergstraße 3
85748 Garching b. München
Deutschland

Telefon +49 (0) 89 320800-0
www.loctite.com

® designates a trademark of Henkel AG & Co. KGaA or its affiliates, registered in Germany and elsewhere.
© Henkel AG & Co. KGaA 2011